

O T E & E

ONODI TOOL & ENGINEERING

Technology

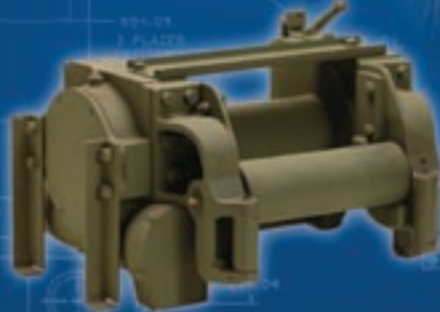


QUALITY

PROCESSES

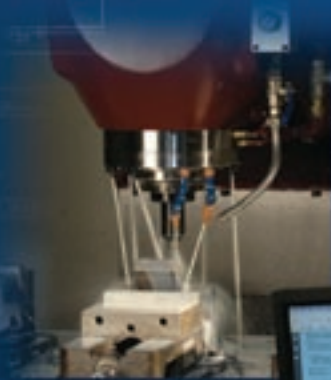


Products



INNOVATION

Reliability

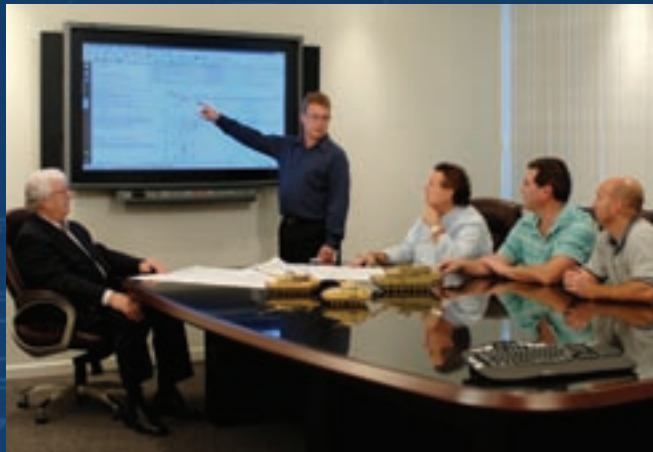


EFFICIENCY

Precision Manufacturing, Extraordinary Results.



COMPANY OVERVIEW

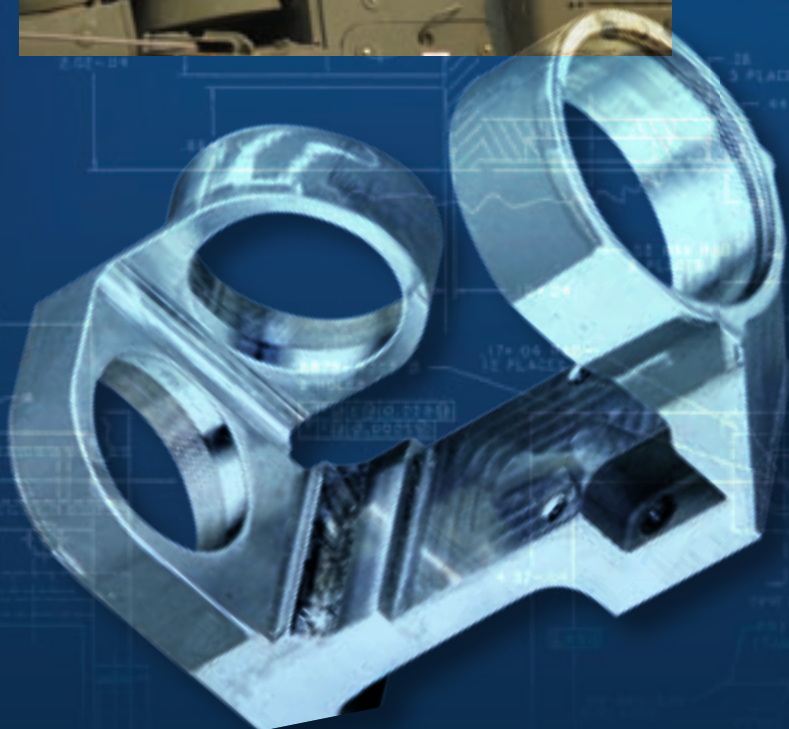


Established in 1974, Onodi Tool & Engineering is a premier manufacturer of precision machined components and assemblies. OTE is ISO-9001:2008 certified directly serving major combat vehicle manufacturers and the United States Department of Defense.

Setting industry standards for critical part inspection and complex measurement requirements, Onodi Tool & Engineering combines a highly trained staff, comprehensive program management, and quality control systems to ensure customer requirements are delivered on time at the best price.

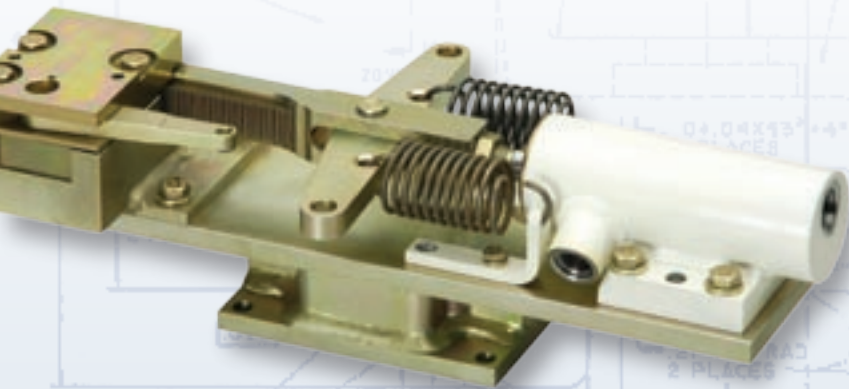


Onodi Tool & Engineering is a showcase facility that has refined the art and science of precision manufacturing.



FACILITIES

Sophisticated Operations - Extraordinary Capabilities

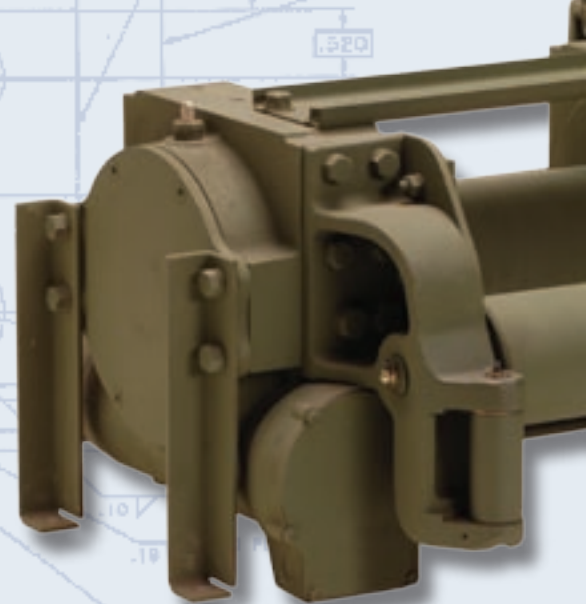


Onodi Tool & Engineering (OTE) is a uniquely qualified production facility meeting the challenges of modern manufacturing by integrating in-house capabilities with proven supplier relationships to produce complex components and assemblies.

Continuously investing in capital equipment and facility upgrades, OTE's 100,000 square foot facility has the capacity to manufacture single prototypes or deliver volume production. An expert in metal removal, forming, and intricate application requirements, OTE can work with most materials – standards and exotics.



Ongoing competitive analysis of products, processes, and technology drives OTE's ability to produce the highest quality and most cost-efficient parts in the market.



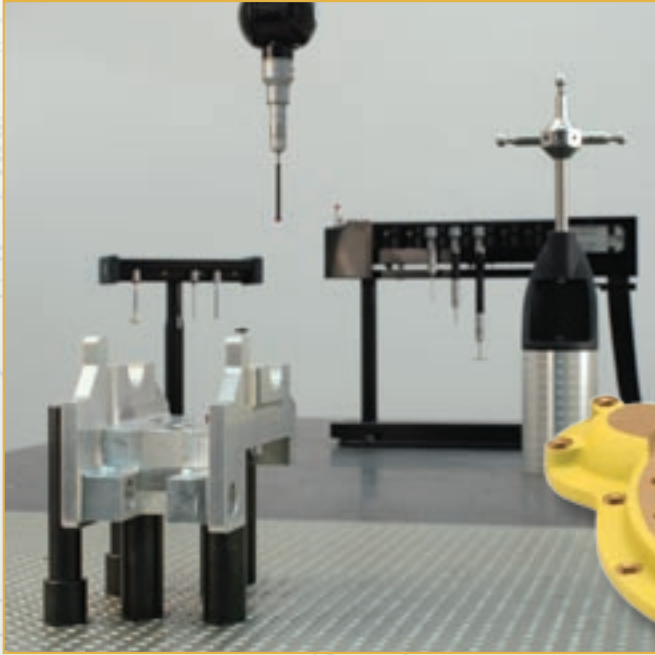
2 PLACES

30±.01
3 PLACES

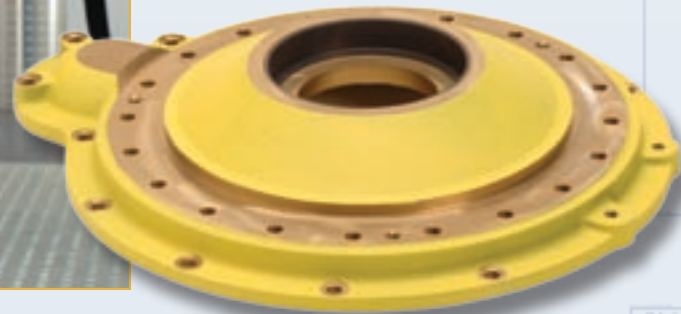
2-PLATE-9377595-4

PROJECT MANAGEMENT

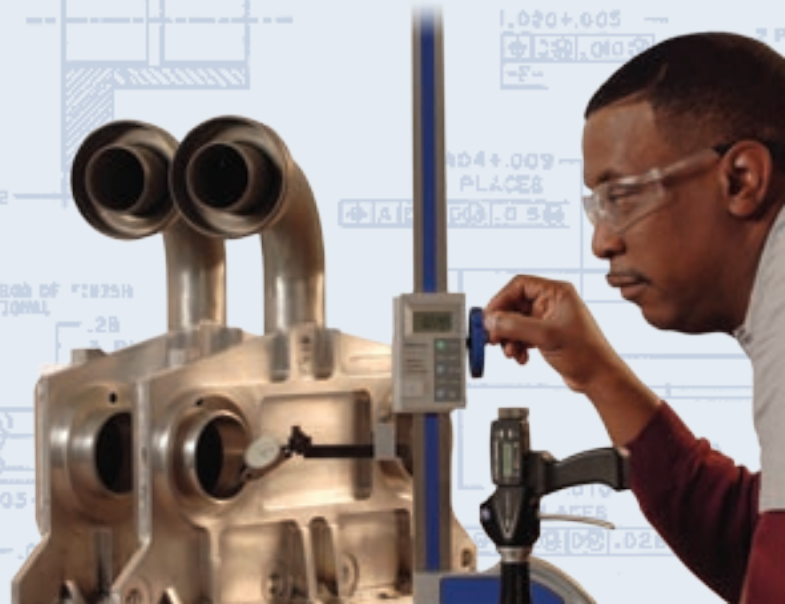
Electronic Validation Systems – Start-to-Finish Quality Control



OTE goes beyond standard accounting measures by using concise electronic validation systems that optimize production efficiency and provide start-to-finish quality control. Combining individual skills with team strength, OTE's dedicated family of employees serve with total transparency in communications and project management.



Equipped with high precision, numerically controlled CMMs, OTE successfully serves the military environment delivering documented dimensional reports and statistical process control information for complete product certification.



PACKAGING & PRESERVATION

The Industry Relies on Onodi Tool & Engineering



OTE applies industry expertise beyond production to ensure every part, component and assembly is packaged to exact contract specifications. Packaging options range from turnkey solutions that are field-ready to structures suitable for storage. In addition, OTE uses barcode confirmation to expedite part identification and reordering.

For more than 35 years, OTE has been leading the machine tool industry and serving the government with precision manufacturing through a diverse portfolio that includes quality CNC milling and turning, fabrication, welding and surface finishing.



Investing in capital equipment and facility upgrades, to electronic validation systems and quality control measures, Onodi Tool & Engineering is positioned to consistently meet the challenging machining requirements of our customers.





ONODI TOOL & ENGINEERING

Onodi Tool & Engineering Advantages

- Continuous investment in advanced capital equipment
- Skilled and seasoned workers – The Onodi family of dedicated workers
- Proven supplier base augments in-house capabilities to meet diverse needs
- Complete validation of products, process information and packaging through electronic recording and barcode confirmations
- Package and preservation services that comply with the highest government standards



19150 Meginnity Avenue • Melvindale, MI 48122 • Phone: (313) 386-6682 • Fax: (313) 386-8696

www.onoditool.com